

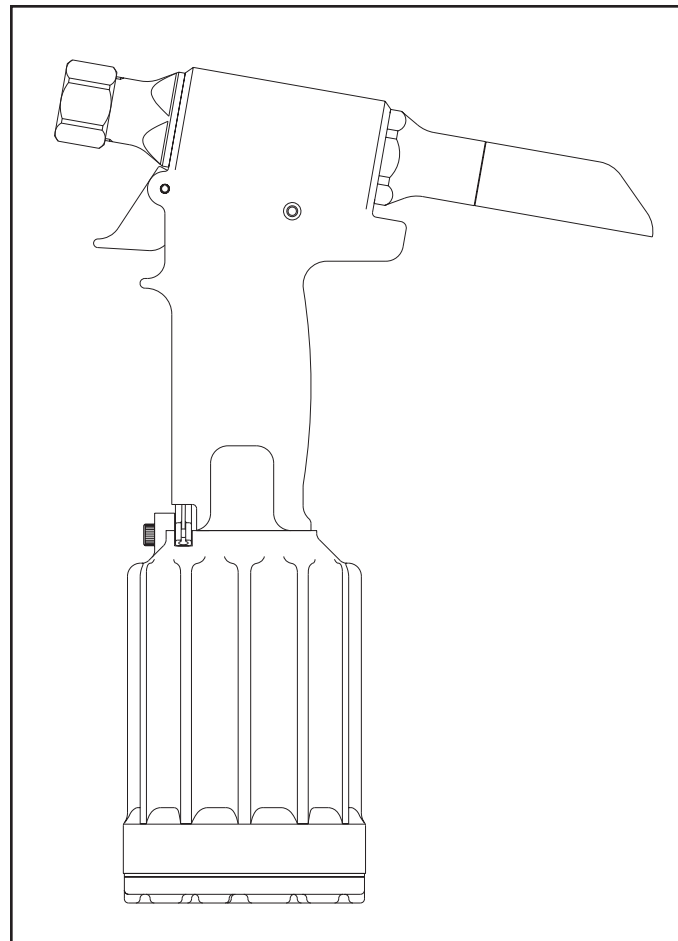
Alcoa
Fastening
Systems



INSTRUCTION MANUAL

2012 ALL MODELS

PNEUDRAULIC INSTALLATION TOOL

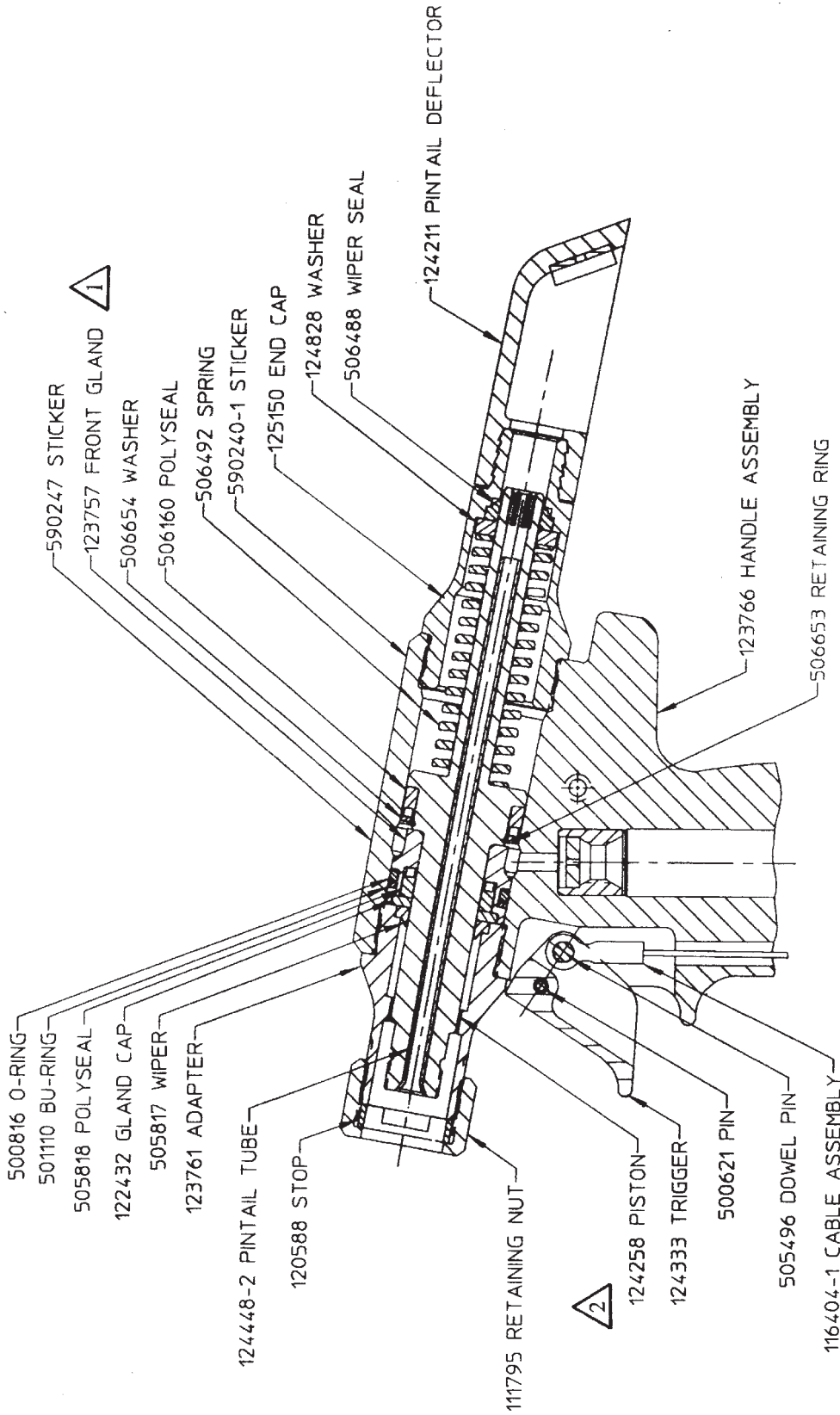


Makers of Huck®, Marson®, Recoil®
Brand Fasteners, Tools & Accessories

Form HK 969
02-10-2004



Fig. 4



2012 series Head/handle

Fig. 5 & 5.1

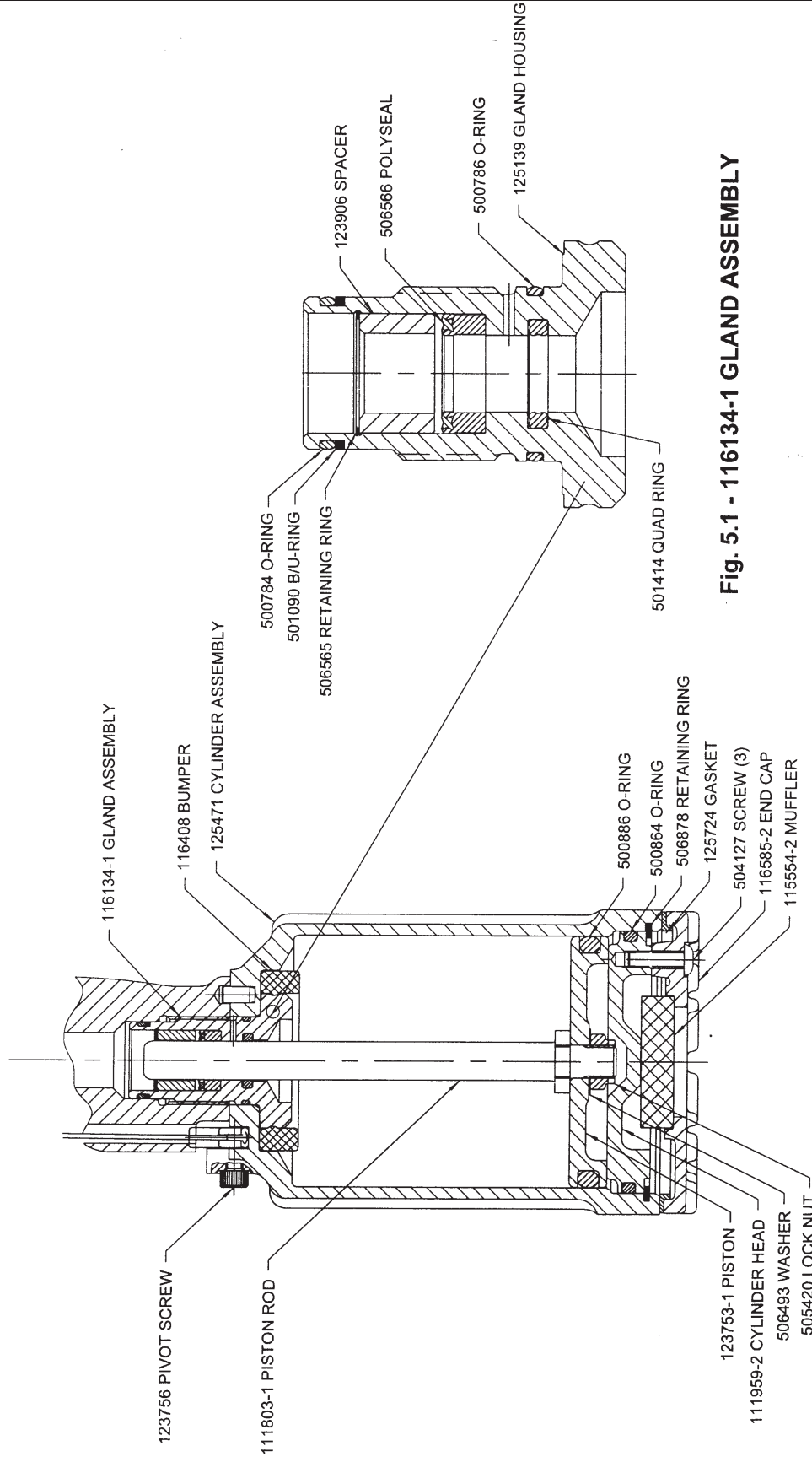
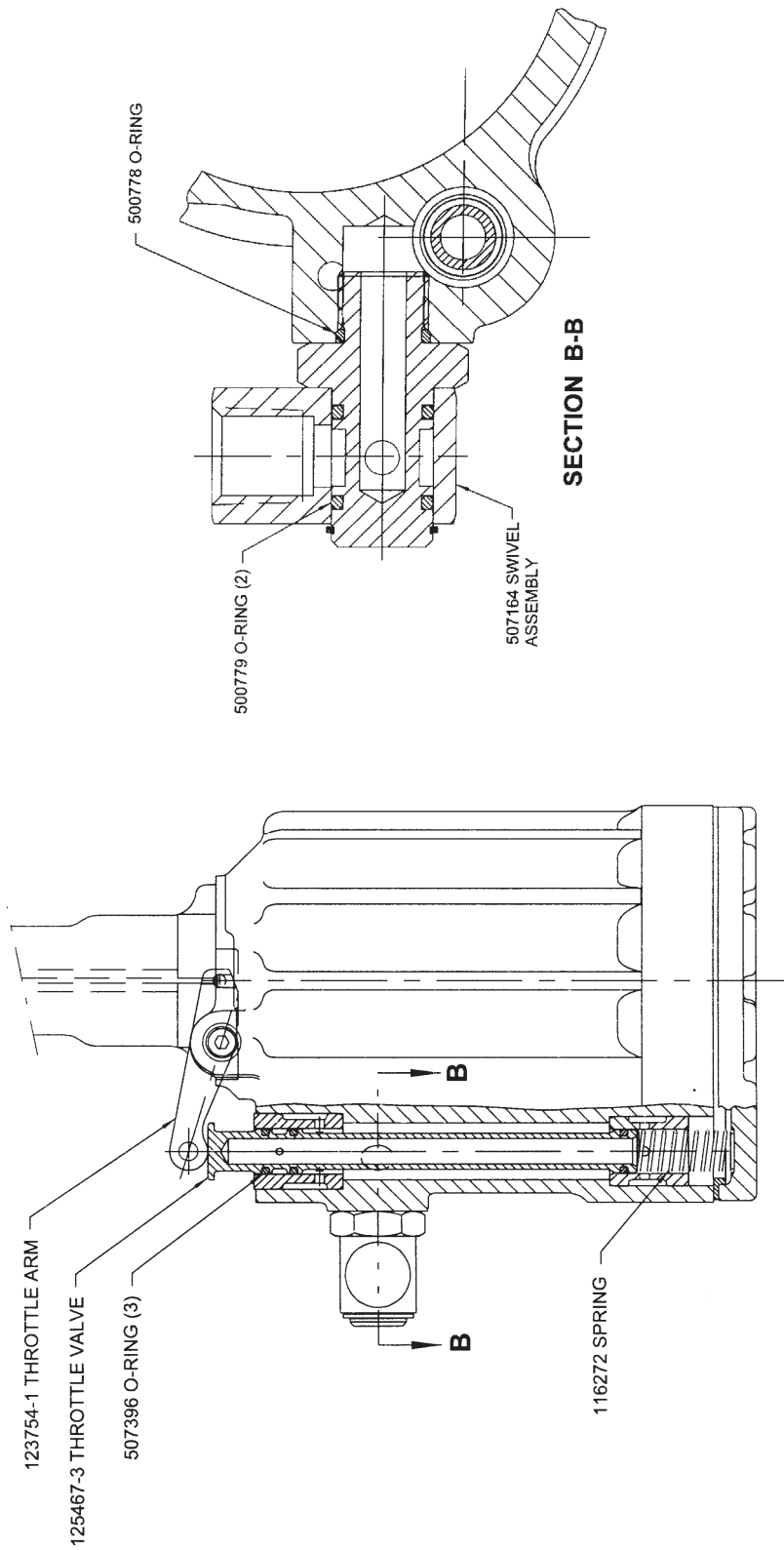


Fig. 5.1 - 116134-1 GLAND ASSEMBLY

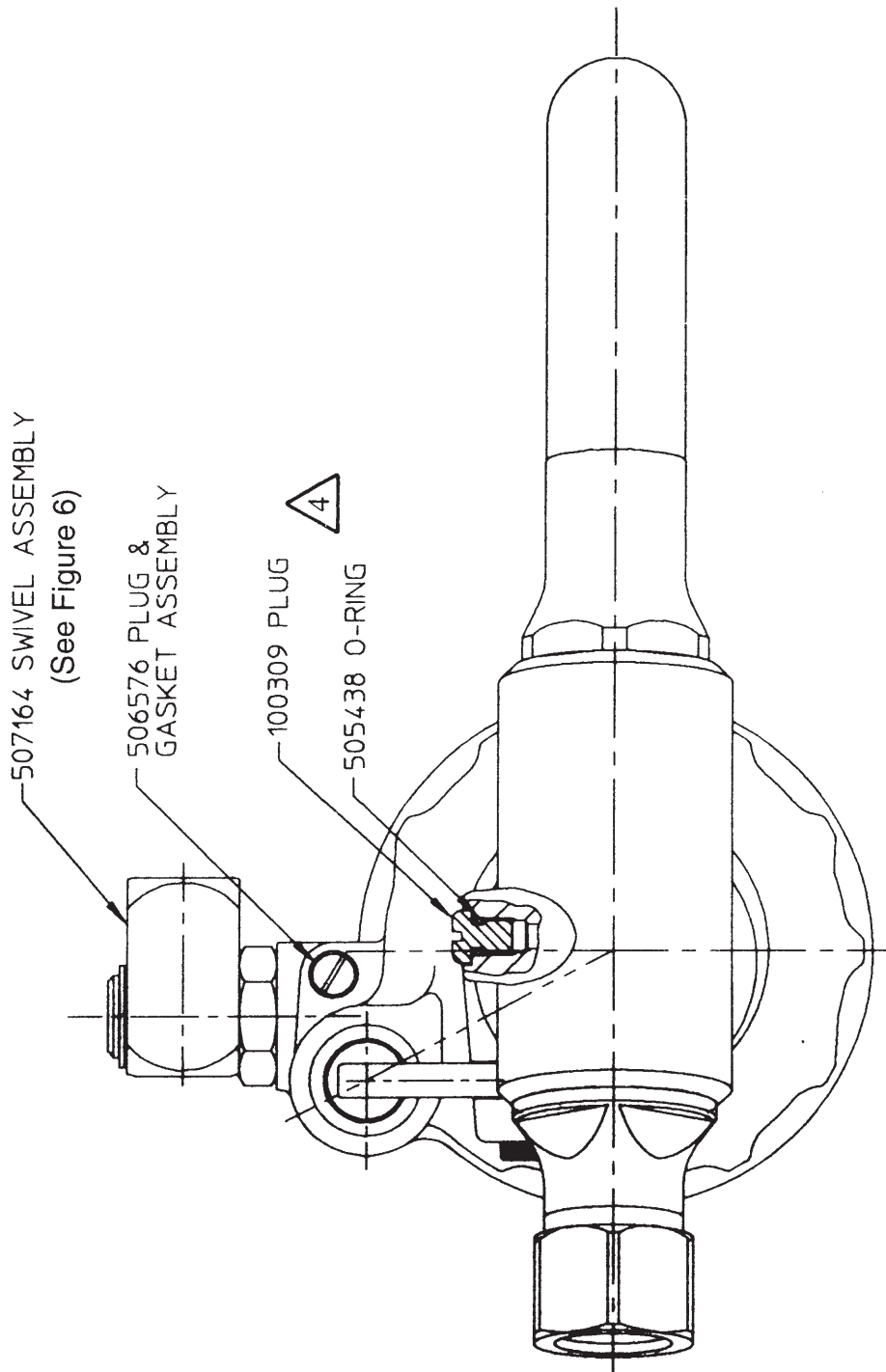
Fig. 5 - 2012 Air Cylinder

Fig. 6



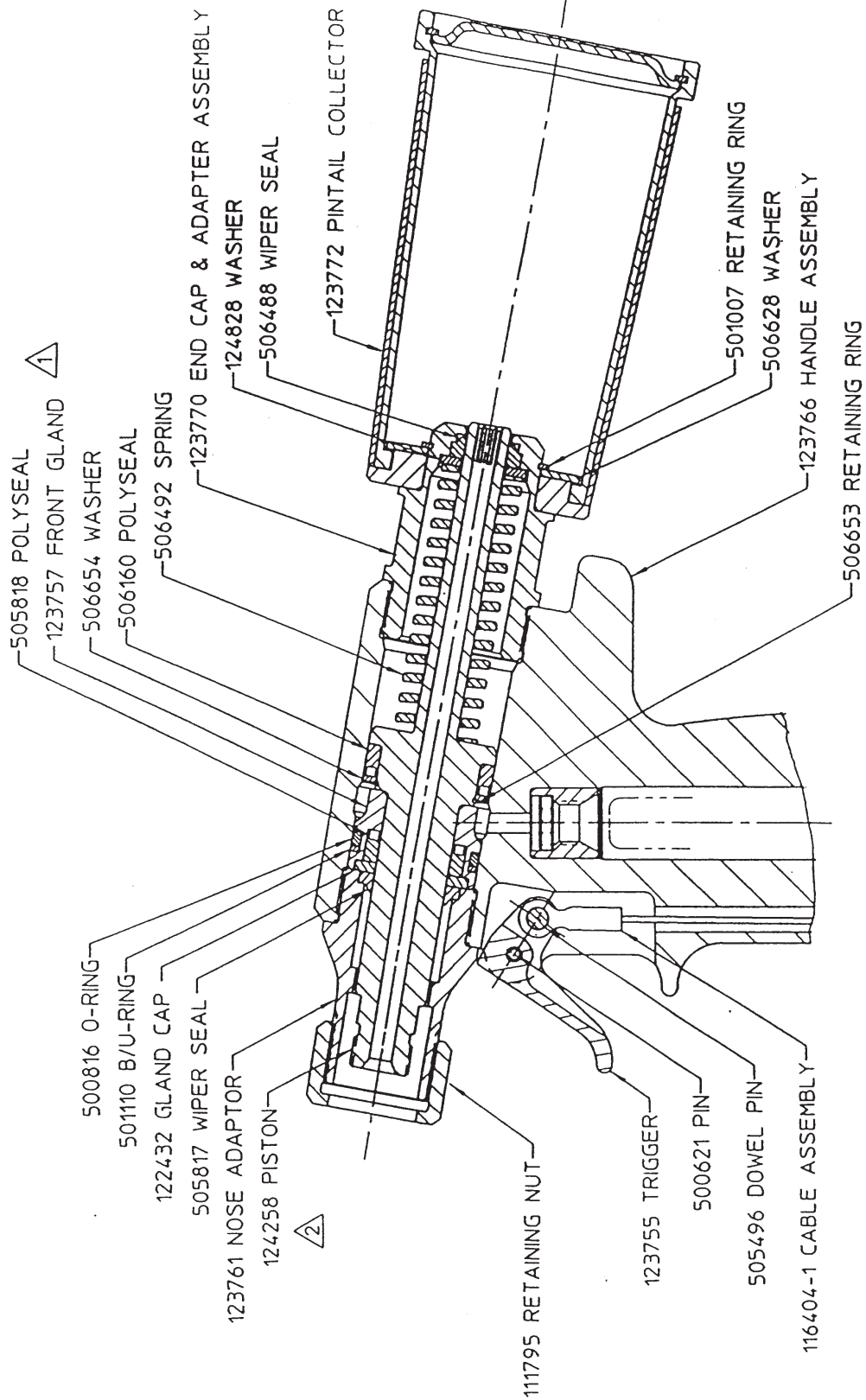
Throttle Valve Sub-assembly and Related components

Fig. 7



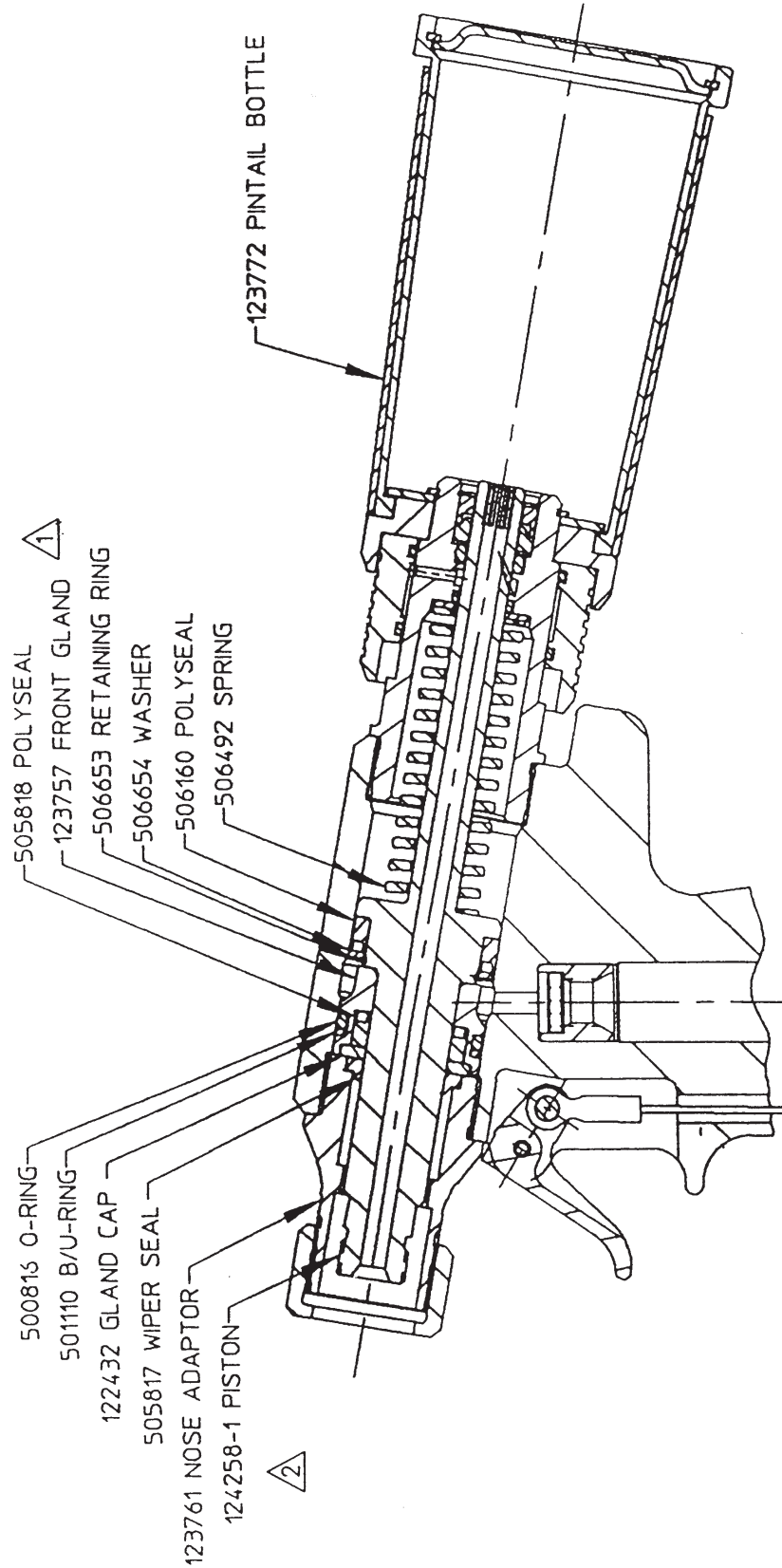
Swivel and Swivel Bolt Sub-assembly
Fill Plug and O-ring Sub-assembly

Fig. 8



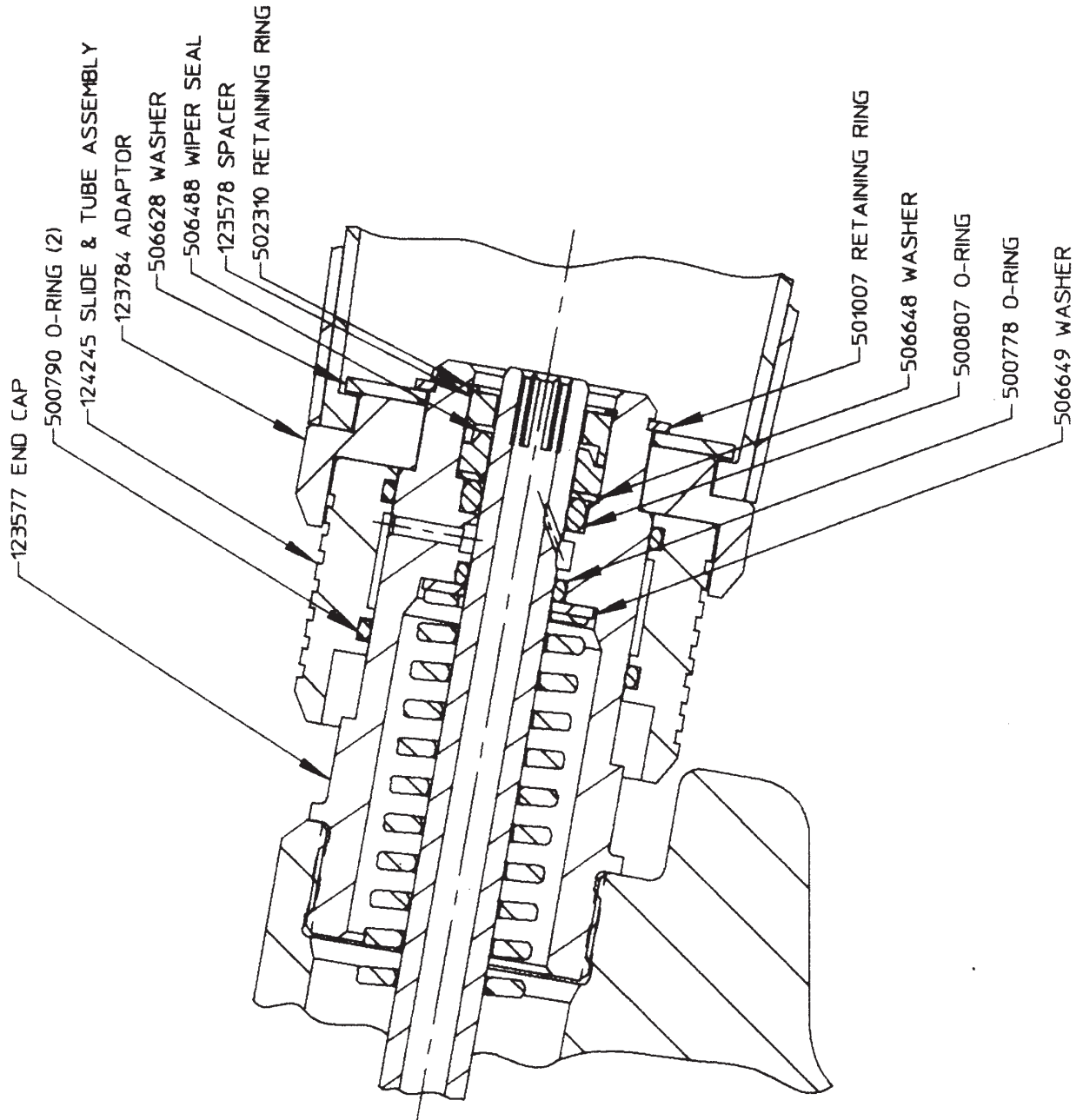
2012B Head/handle

Fig. 9



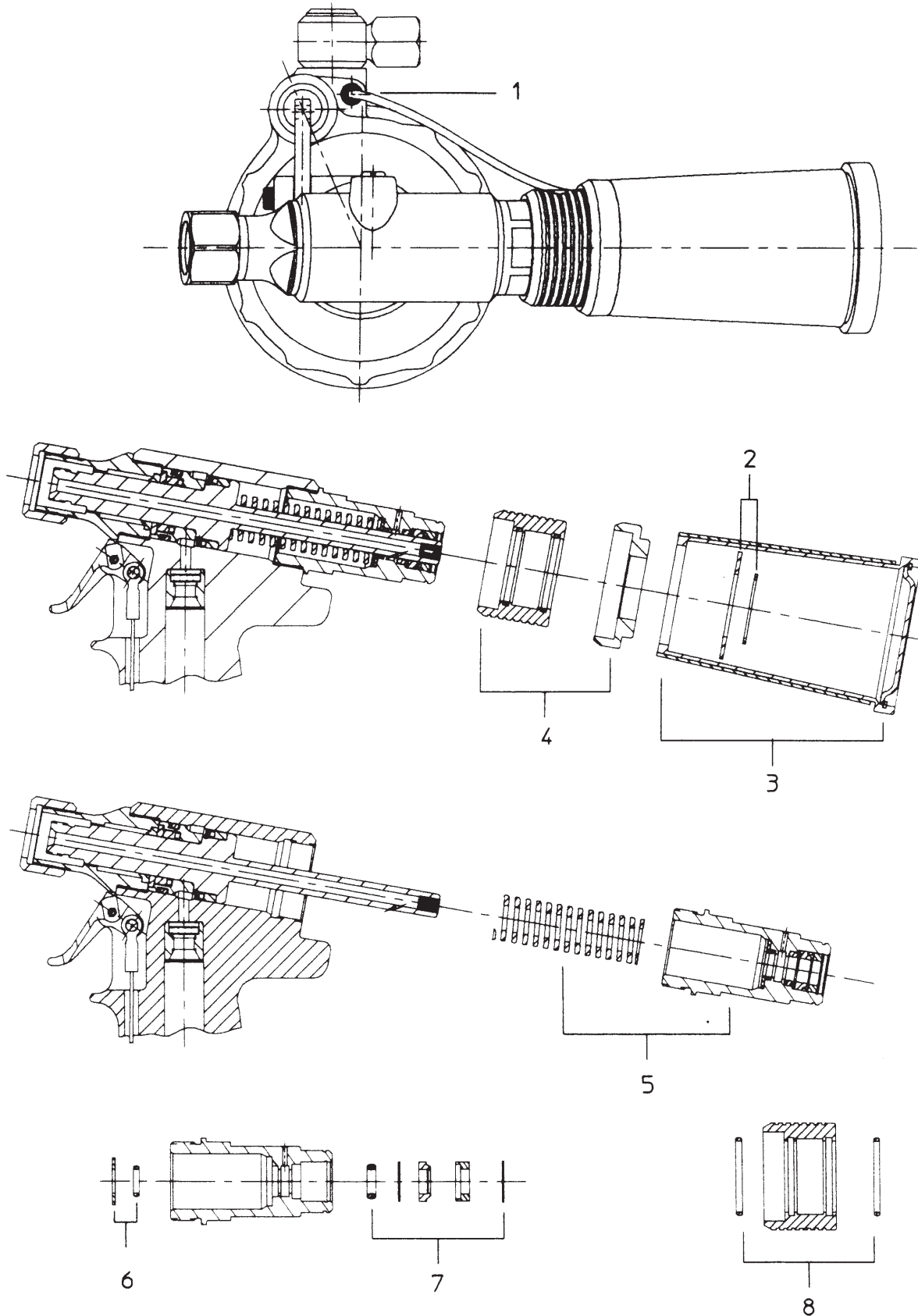
2012V Head/handle

Fig. 10



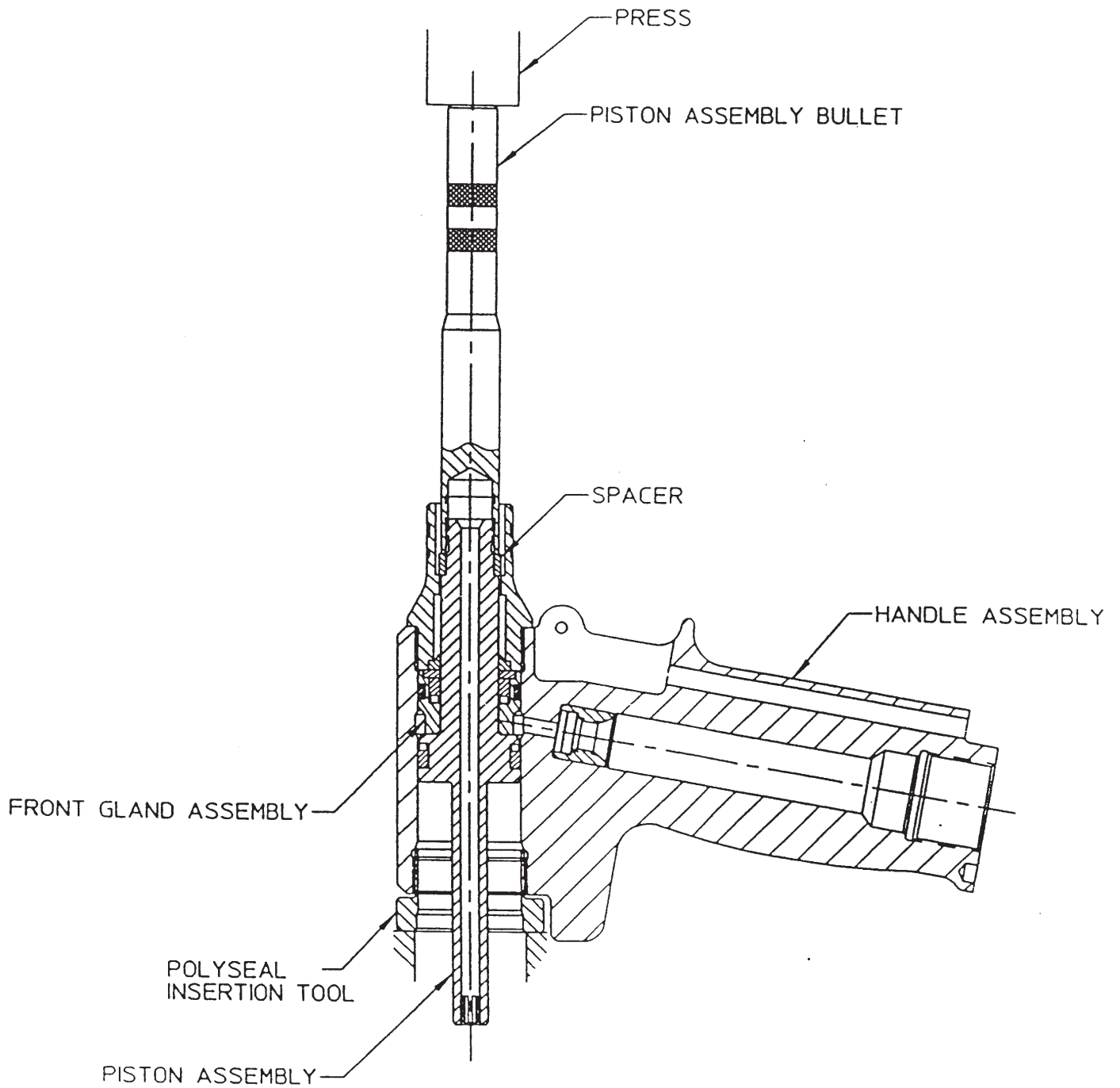
2012V Assembled Vacuum Attachment

Fig. 11



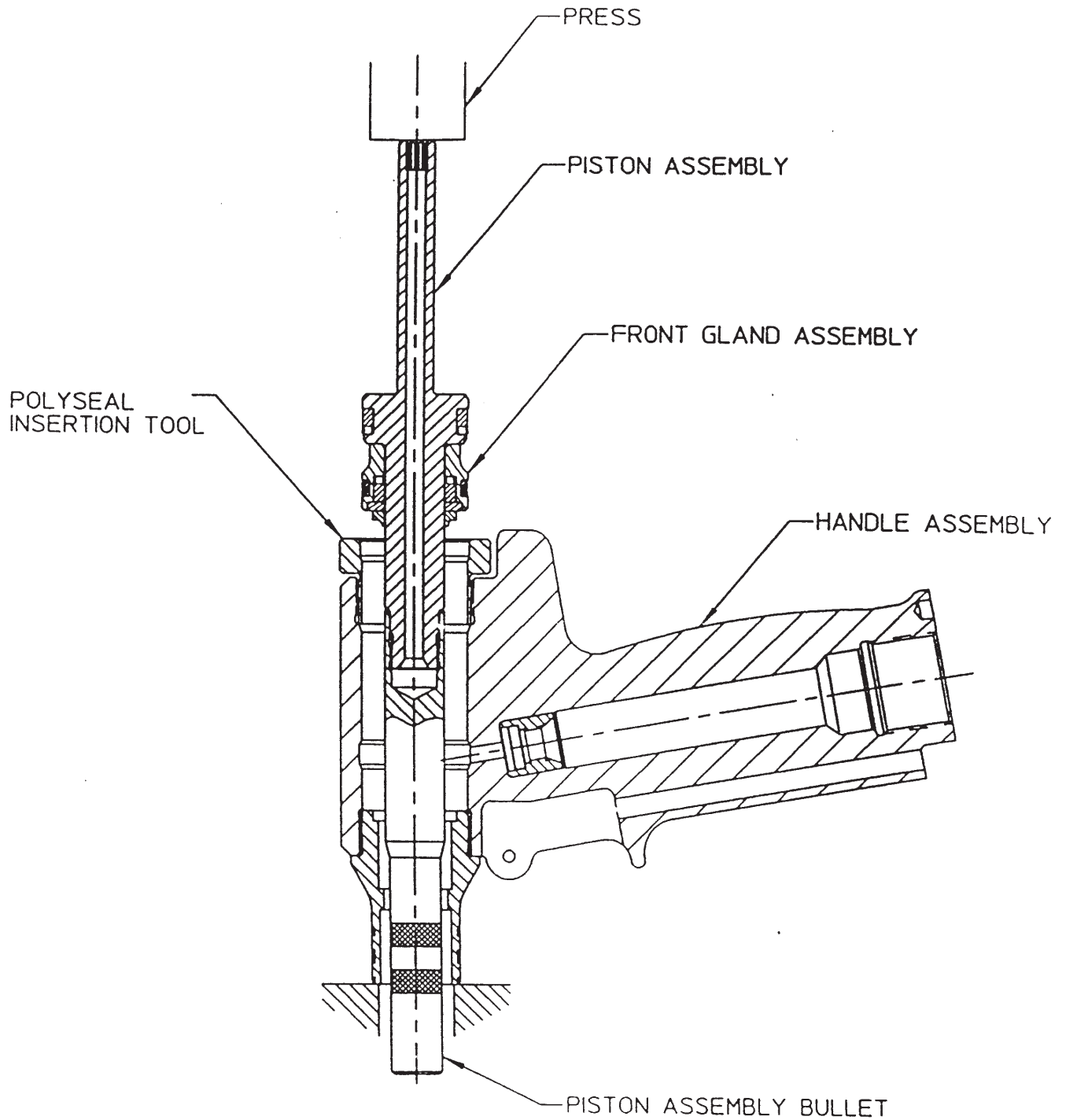
Exploded View of Vacuum Attachment

Fig. 12



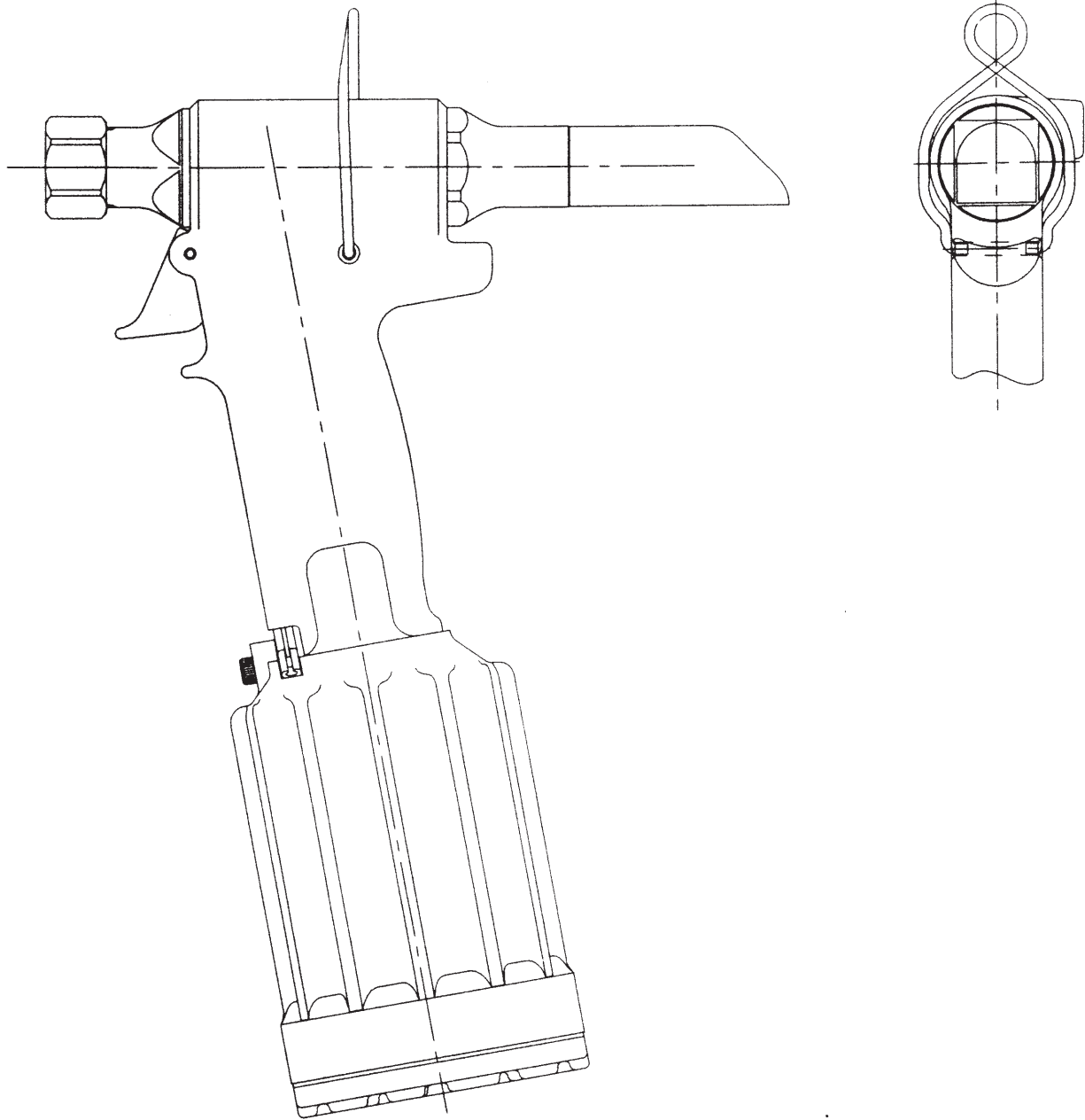
Removing Piston and Front Gland

Fig. 13



Installing Piston and Front Gland

Fig. 14



2012 with Suspension Spring, 124447

SPARE PARTS AND SERVICE KITS

The quantity of spare parts that should be kept on hand varies with application and number of tools in service. Service kits containing perishable parts such as POLY-SEALS, O-rings, back-up rings, etc., should be kept on hand at all times. See listing of contents of *SERVICE KIT, 2012KIT* and *2012VKIT*.

Specifications for Standard Parts

- All part numbers shown are available from Huck. The 500000 series part numbers are standard parts which generally can be purchased locally.
- O-ring sizes are specified AS 568 dash numbers. (AS 568 - is an AEROSPACE SIZE STANDARD FOR O-RINGS and formerly was known as ARP -). The listing of *SERVICE KIT, 2012KIT* and *2012VKIT* has specific material and durometer just after the identifying AS 568 - dash numbers.
- QUAD ring sizes are specified Q4 plus 3 digits. The last 3 digits correspond to O-ring dash numbers. QUAD rings are manufactured by Minnesota Rubber Co. unless otherwise specified.
- Back-up rings are W. S. Shamban & Co. series S-11248, single turn Teflon (MS-28774), or equivalent. The dash numbers correspond to the O-ring AS 568 - dash numbers.

Service Kit, 2012KIT, for 2012 and 2012B

<u>Part No.</u>	<u>Qty</u>	<u>Description</u>
505817	1	Wiper seal MICRODOT #D-0625
506488	1	Wiper seal DISO. #006-005
506160	1	POLYSEAL MD #125-00.875-250B
505818	1	POLYSEAL MD #125-00.625-250B
506566	1	POLYSEAL MD #125-00.437-250B
501414	1	QUAD ring MR-Q4111
501451	1	QUAD ring MR-Q4333
500816	1	O-ring AS568-119 C366Y 70D
500864	1	O-ring AS568-232 C366Y 70D
500784	1	O-ring AS568-018 C366Y 70D
500786	1	O-ring AS568-020 C366Y 70D
500778	1	O-ring AS568-012 C366Y 70D
500779	2	O-ring AS568-013 C366Y 70D
504408	2	O-ring AS568-012 CV747 75D
504407	1	O-ring AS568-011 CV747 75D
505438	1	O-ring AS568-006 C9250 90D
501110	1	Back-up ring S-11248-119
501090	1	Back-up ring S-11248-18
506565	1	Internal Retaining Ring UR-068
506653	1	External Retaining Ring US-87 SPIR
116272	1	Spring
8-2012	1	Model 2012 assembly drawing



For the Long Haul™

A Global Organization

Alcoa Fastening Systems (AFS) maintains company offices throughout the United States and Canada, with subsidiary offices in many other countries. Authorized AFS distributors are also located in many of the world's

industrial and Aerospace centers, where they provide a ready source of AFS fasteners, installation tools, tool parts, and application assistance.

Alcoa Fastening Systems world-wide locations:

Americas

Alcoa Fastening Systems

Aerospace Products

Tucson Operations

3724 East Columbia
Tucson, AZ 85714
800-234-4825
520-747-9898
FAX: 520-748-2142

Alcoa Fastening Systems

Aerospace Products

Carson Operations

PO Box 5268
900 Watson Center Rd.
Carson, CA 90749
800-421-1459
310-830-8200
FAX: 310-830-1436

Alcoa Fastening Systems

Commercial Products

Waco Operations

PO Box 8117
8001 Imperial Drive
Waco, TX 76714-8117
800-388-4825
254-776-2000
FAX: 254-751-5259

Alcoa Fastening Systems

Commercial Products

Kingston Operations

1 Corporate Drive
Kingston, NY 12401
800-431-3091
845-331-7300
FAX: 845-334-7333
www.hucktools.com

Alcoa Fastening Systems

Commercial Products

Canada Operations

6150 Kennedy Road, Unit 10
Mississauga, Ontario L5T2J4
Canada
905-564-4825
FAX: 905-564-1963

Alcoa Fastening Systems

Commercial Products

Latin America Operations

Avenida Parque Lira. 79-402
Tacubaya Mexico, D.F.
C.P. 11850
FAX: 525-515-1776
TELEX: 1173530 LUKSME

Far East

Alcoa Fastening Systems

Commercial Products

Australia Operations

14 Viewtech Place
Rowville, Victoria
Australia 3178
03-764-5500
Toll Free: 008-335-030
FAX: 03-764-5510

Europe

Alcoa Fastening Systems

Commercial Products

United Kingdom Operations

Unit C, Stafford Park 7
Telford, Shropshire
England TF3 3BQ
01952-290011
FAX: 0952-290459

Alcoa Fastening Systems

Aerospace Products

France Operations

Clos D'Asseville
BP4
95450 Us Par Vigny
France
33-1-30-27-9500
FAX: 33-1-34-66-0600



For The Long Haul, The Future of Fastening Technology, The Future of Assembly Technology, The Future of Tooling Technology, and Tools of Productivity are service marks of Huck International. Huck provides technical assistance regarding the use and application of Huck fasteners and tooling.

NOTICE: The information contained in this publication is only for general guidance with regard to properties of the products shown

and/or the means for selecting such products, and is not intended to create any warranty, express, implied, or statutory; all warranties are contained only in Huck's written quotations, acknowledgements, and/or purchase orders. It is recommended that the user secure specific, up-to-date data and information regarding each application and/or use of such products.

HWB898 1003-5M

Alcoa Fastening Systems



One Great ConnectionSM