

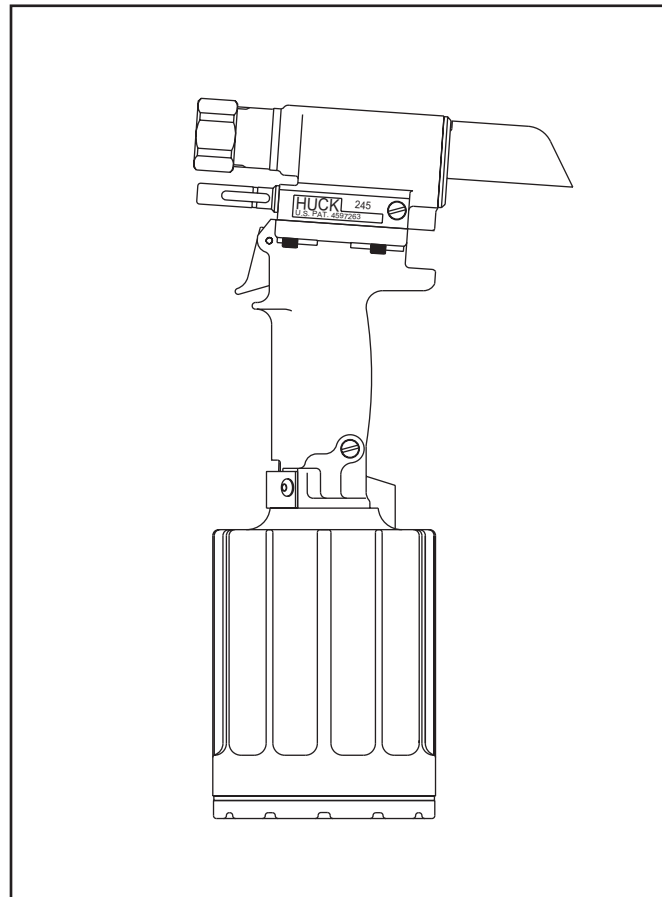
Alcoa  
Fastening  
Systems



## *INSTRUCTION MANUAL*

# 245

## *PNEUDRAULIC INSTALLATION TOOL*



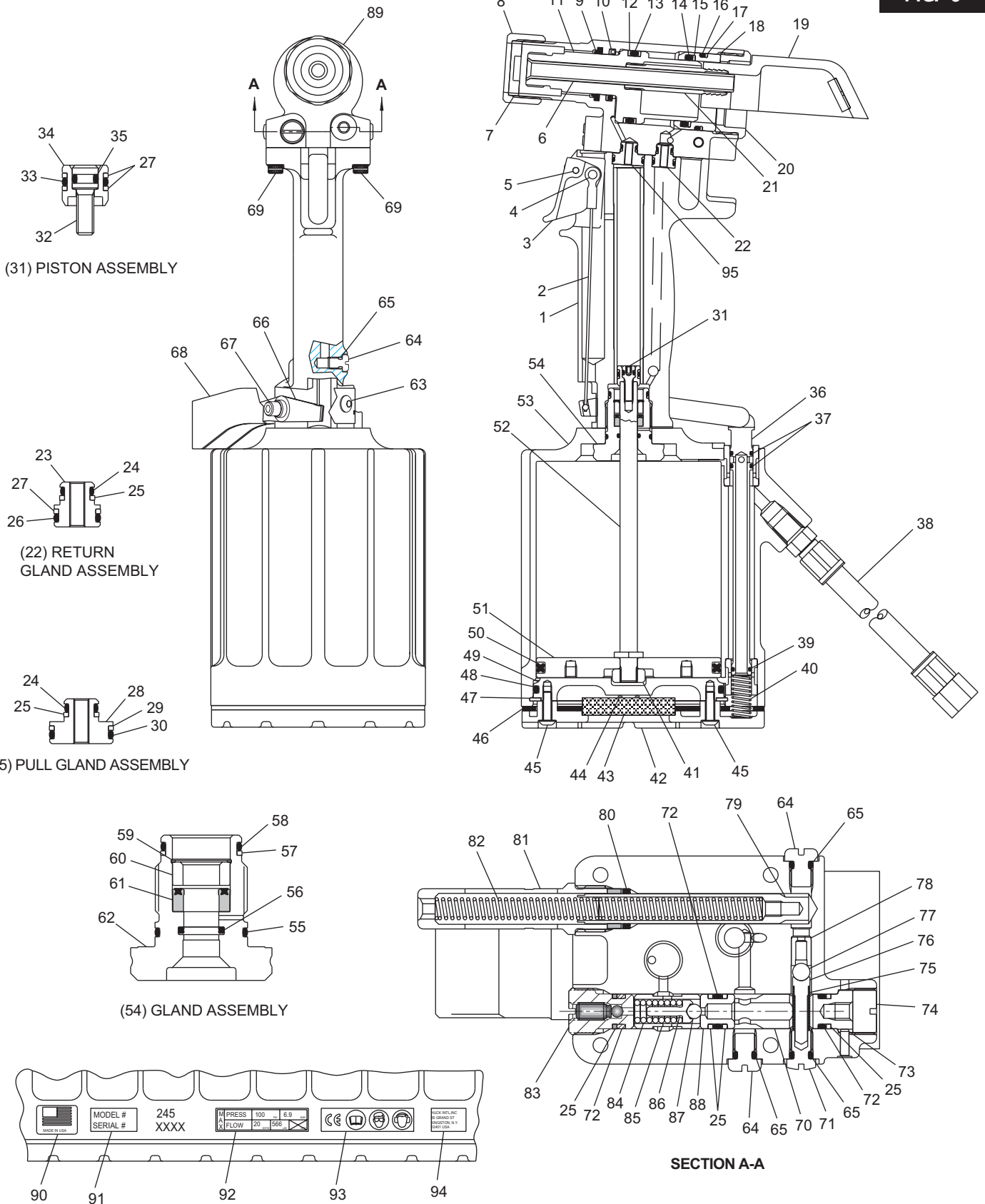
Makers of Huck®, Marson®, Recoil®  
Brand Fasteners, Tools & Accessories

Form HK 824  
02-10-2004



ASSEMBLY DRAWING

FIG. 9



ITEM	PART#	DESCRIPTION	QTY	ITEM	PART#	DESCRIPTION	QTY
1	125641	Handle & Sleeve Assembly	1	49	111959	Cylinder Head	1
2	127279	Cable Assembly	1	50	501460	Quad Ring	1
3	124333-1	Trigger	1	51	100315	Piston, Air	1
4	505496	Pin	1	52	112414	Piston Rod	1
5	500621	Pin	1	53	115556	Cylinder Assembly	1
6	108279	Pintail Tube	1	54	116173	Gland Assembly	1
7	110670	Stop	1	55	500786	O-ring	1
8	117824	Retaining Nut	1	56	501074	Quad Ring	1
9	505894	Wiper Seal	1	57	501090	Back-up Ring	1
10	505865	Polyseal	1	58	500784	O-ring	1
11	120330	Piston, Pull	1	59	505939	Retaining Ring	1
12	113251	Back-up Ring	2	60	123904	Spacer	1
13	500851	O-ring	1	61	506611	Polyseal	1
14	505791	O-ring	1	62	123903	Gland	1
15	113754	Back-up Ring	1	63	502482	Screw	2
16	505887	O-ring	1	64	100309	Bleed Plug	3
17	113253	Back-up Ring	1	65	505438	O-ring	4
18	120056	Rear Gland	1	66	120005	Throttle Arm	1
19	124209	Pintail Deflector	1	67	127029	Bushing & Screw Assembly	1
20	112491	End Cap	1	68	125656	Guard	1
21	120325	Pintail Tube	1	69	500102	Screw	4
22	112502	Return Gland Assembly	1	70	120204	Plug	1
23	112427	Gland	1	71	111068	Plug	1
24	500776	O-ring	2	72	505446	O-ring	3
25	501082	Back-up Ring	6	73	120203	Pin	1
26	500778	O-ring	1	74	120129	Screw	1
27	501084	Back-up Ring	3	75	100874	Spring	1
28	112426	Gland	1	76	111067	Guide	1
29	501087	Back-up Ring	1	77	502929	Ball	1
30	500781	O-ring	1	78	111139	Seat	1
31	118865	Piston Assembly	1	79	112405	Reservoir Plunger	1
32	117773	Screw	1	80	501408	Quad Ring	1
33	503768	O-ring	1	81	112403	Housing/Spacer Assembly	1
34	117774	Piston	1	82	505864	Spring	2
35	500773	O-ring	1	83	114530	Plug	1
36	115505	Throttle Valve	1	84	505863	Spring	1
37	504408	O-ring	2	85	120127	Sleeve	1
38	115436	Air Hose Assembly	1	86	120128	Guide	1
39	504407	O-ring	1	87	502506	Ball	1
40	116272	Spring	1	88	114528	Seat	1
41	121241	Self-locking Nut	1	89	120353	Head Assembly	1
42	116585	Muffler End Cap	1	90	620084	Sticker	1
43	115554	Muffler	1	91	590348	Sticker	1
44	500777	O-ring	1	92	590351	Sticker	1
45	504127	Screw	3	93	590350	Sticker	1
46	126941-2	Gasket	1	94	590347	Sticker	1
47	505025	Retaining Ring	1	95	112501	Pull Gland Assembly	1
48	500873	O-ring	1				



**For the Long Haul™**

## A Global Organization

Alcoa Fastening Systems (AFS) maintains company offices throughout the United States and Canada, with subsidiary offices in many other countries. Authorized AFS distributors are also located in many of the world's

industrial and Aerospace centers, where they provide a ready source of AFS fasteners, installation tools, tool parts, and application assistance.

## Alcoa Fastening Systems world-wide locations:

### Americas

#### **Alcoa Fastening Systems**

##### Aerospace Products

##### Tucson Operations

3724 East Columbia  
Tucson, AZ 85714  
800-234-4825  
520-747-9898  
FAX: 520-748-2142

#### **Alcoa Fastening Systems**

##### Aerospace Products

##### Carson Operations

PO Box 5268  
900 Watson Center Rd.  
Carson, CA 90749  
800-421-1459  
310-830-8200  
FAX: 310-830-1436

#### **Alcoa Fastening Systems**

##### Commercial Products

##### Waco Operations

PO Box 8117  
8001 Imperial Drive  
Waco, TX 76714-8117  
800-388-4825  
254-776-2000  
FAX: 254-751-5259

#### **Alcoa Fastening Systems**

##### Commercial Products

##### Kingston Operations

1 Corporate Drive  
Kingston, NY 12401  
800-431-3091  
845-331-7300  
FAX: 845-334-7333  
www.hucktools.com

#### **Alcoa Fastening Systems**

##### Commercial Products

##### Canada Operations

6150 Kennedy Road, Unit 10  
Mississauga, Ontario L5T2J4  
Canada  
905-564-4825  
FAX: 905-564-1963

#### **Alcoa Fastening Systems**

##### Commercial Products

##### Latin America Operations

Avenida Parque Lira. 79-402  
Tacubaya Mexico, D.F.  
C.P. 11850  
FAX: 525-515-1776  
TELEX: 1173530 LUKSME

### Far East

#### **Alcoa Fastening Systems**

##### Commercial Products

##### Australia Operations

14 Viewtech Place  
Rowville, Victoria  
Australia 3178  
03-764-5500  
Toll Free: 008-335-030  
FAX: 03-764-5510

### Europe

#### **Alcoa Fastening Systems**

##### Commercial Products

##### United Kingdom Operations

Unit C, Stafford Park 7  
Telford, Shropshire  
England TF3 3BQ  
01952-290011  
FAX: 0952-290459

#### **Alcoa Fastening Systems**

##### Aerospace Products

##### France Operations

Clos D'Asseville  
BP4  
95450 Us Par Vigny  
France  
33-1-30-27-9500  
FAX: 33-1-34-66-0600



For The Long Haul, The Future of Fastening Technology, The Future of Assembly Technology, The Future of Tooling Technology, and Tools of Productivity are service marks of Huck International. Huck provides technical assistance regarding the use and application of Huck fasteners and tooling.

NOTICE: The information contained in this publication is only for general guidance with regard to properties of the products shown

and/or the means for selecting such products, and is not intended to create any warranty, express, implied, or statutory; all warranties are contained only in Huck's written quotations, acknowledgements, and/or purchase orders. It is recommended that the user secure specific, up-to-date data and information regarding each application and/or use of such products.

HWB898 1003-5M

# Alcoa Fastening Systems



One Great Connection<sup>SM</sup>